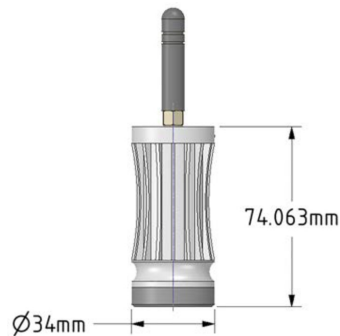


SPECIFICATIONS

| | |
|---|--|
| FREQUENCY RESPONSE | 6000Hz +/- 3 dB 12000Hz +/- 5 dB |
| RADIO FREQUENCY TO BASE STATION | 2.4 GHz |
| SENSITIVITY | 1mg |
| AXIS SELECTABLE FOR INCREASED RESOLUTION | 1 axis 12800 Hz fMax 2 axis 6400 Hz fMax 3 axis 3200 Hz fMax |
| SPECTRAL LINES | Unlimited |
| SAMPLES PER ACQUISITION | Infinite |
| SAMPLE RATE | 3200sps - 25600sps configurable |
| INGRESS PROTECTION | IP65 |
| MASS | 80g with battery |
| ENCLOSURE MATERIAL | Fiber filled polyimide Anodized aluminium base Gold antenna connector Stainless steel snap ring |
| RADIO | 2.4GHz ISM band proprietary |
| RANGE | Omnidimensional antenna 120' line of sight Direc?onal antenna 800' line of sight |
| POWER SOURCE | 3-Volt lithium manganese dioxide (CR123A) |
| BATTERY LIFE APPROX. | 1 reading per week: 3 years 1 reading per day: 1.5 years |
| RANGE | +/- 30g nominal |



TEMPERATURE RANGE

| | |
|--|---------------|
| TEMPERATURE RANGE | -40° to 125°C |
| | -40° to 257°F |
| STORAGE TEMPERATURE WITH BATTERY | .85°C |
| | 33.53°F |
| STORAGE TEMPERATURE WITHOUT BATTERY | 125°C |
| | 257°F |
| MIN. OPERATING TEMPERATURE | -20°C |
| | -4°F |
| MAX SURFACE TEMPERATURE | 85°C |
| | 185°F |

ANTENNA OPTIONS

| | |
|--------------------------|----------------------|
| STUB ANTENNA | 125 ft (low gain) |
| PATCH ANTENNA | 250 ft (medium gain) |
| BACK FIRE ANTENNA | 1000 ft (high gain) |

BASE STATION SPECIFICATIONS

| ENABLED AXES | POSSIBLE COMBINATIONS | TURBO MODE | PACKET DATA RATE | SAMPLING RATE |
|--------------|-----------------------|------------|---------------------|---------------|
| 3 | X,Y,Z | Disabled | 800 packets/seconds | 3200sps |
| 3 | X,Y,Z | Enabled | 711 packets/seconds | 6400sps |
| 2 | X,Y | Disabled | 914 packets/seconds | 6400sps |
| 2 | X,Y | Enabled | 914 packets/seconds | 12800sps |
| 1 | X or Y or Z | Disabled | 914 packets/seconds | 12800sps |
| 1 | X or Y or Z | Enabled | 914 packets/seconds | 25600sps |

FEATURES:

- User determined collection schedule
- 2-way communication with data sensors
- Automated email notification for alerts and alarms
- Per sensor customizable collection schedule
- Trending in Peak, RMS & Crest Factor
- Velocity, acceleration, displacement & demodulation
- VibePulse automatic fault detection algorithm

GTI ONLINE WEB APP SECURITY

GTI Predictive Technology provides access to VibePro Online through a secure Internet site. GTI Predictive Technology access to this site is password protected. GTI uses an SSL Certificate to ensure secure connectivity. Communication within the GTI Online network is only from sensor through the base station to VibePro Online and from VibePro Online through the base station to the Internet. GTI Online does not allow access to machine settings or controls. Secure communication through a VPN is also available.

WHAT IS AN SSL CERTIFICATE?

SSL Certificates are small data files that digitally bind a cryptographic key to an organization's details. When installed on a web server, it activates the padlock and the https protocol and allows secure connections from a web server to a browser. Typically, SSL is used to secure credit card transactions, data transfer and logins, and more recently is becoming the norm when securing browsing of social media sites.

SSL CERTIFICATES BIND TOGETHER:

- A domain name, server name or hostname.
- An organizational identity (i.e. company name) and location.

An organization needs to install the SSL Certificate onto its web server to initiate a secure session with browsers. Once a secure connection is established, all web traffic between the web server and the web browser will be secure. When a certificate is successfully installed on your server, the application protocol (also known as HTTP) will change to HTTPS, where the 'S' stands for 'secure'. Depending on the type of certificate you purchase and what browser you are surfing the Internet on, a browser will show a padlock or green bar in the browser when you visit a website that has an SSL Certificate installed.



(+66)02-1214399 // 6/54-56, Thanon Poemsin Soi 42 - Saimai // Bangkok Thailand 10220

www.GeoNoise.asia

The contents of this publication are the copyright of the publisher and may not be reproduced (even extracts) unless prior written permission is granted. Every care has been taken to ensure the accuracy of the information contained in this publication but no liability can be accepted for any loss or damage whether direct, indirect or consequential arising out of the use of the information contained herein.