

# IH-02 IEPE Instrumented Impact Hammer

Measuring range 2000N

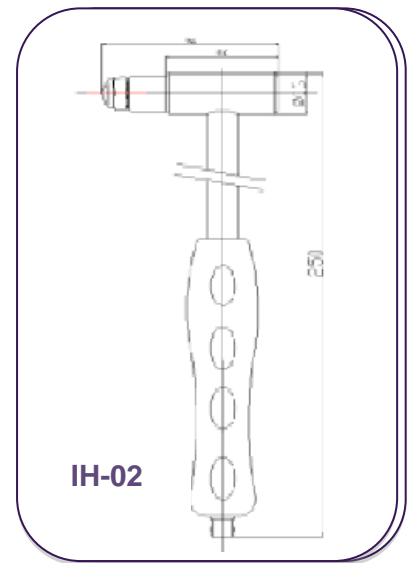
The IH-02 impact hammer belongs to a range of general purpose hammers used for structural health testing, resonance determination and modal analysis. Ideal for medium sized structures the IH-02 has a range of 2000N.

Included within the hammer is a piezoelectric IEPE force sensor in which directly outputs a voltage signal.

Each hammer is supplied as a kit including a cable and a variety of tips able to suit a variety of testing requirements.

The IH-02 has a BNC terminating connector and an additional mass that can be attached to the rear of the hammer head.

Impact pulse width and frequency response is different with different hammer heads and tips. It should be based on actual tests.



H-02	Metric	Imperial
Sensitivity	2.5mV/N	11.15mV/lbf
Measuring Range	2000N	449.61lbf
Non-linearity	≤1%	
Resolution	50mNrms	
Resonant Frequency	55kHz	
Low Frequency	1Hz	
Hammer head Weight	80gm	2.8oz
Hammer weight (total)	165gm	582oz
Hammer Head Ø	16mm	0.63in
Hammer Length	250mm	9.84in
Output Connector	BNC	
Tips Supplied	Rubber, nylon, aluminium, steel	
Excitation voltage	+18 to +28V	
Constant Current	2-10mA	
DC Offset	10-14VDC	
Output Impedance	≤100Ω	

## Options

- IH-01-50 50N
- IH-01 200N
- IH-02 2000N
- IH-05 5000N
- IH-10 10000N
- IH-20 20000N
- IH-50 50000N

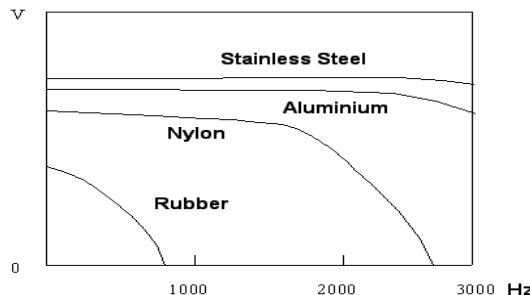
Other options include a wide range of accelerometers and cabling to suit any type of structural test.

**Additional mass available for the IH-02 (77grams)**

## Typical Frequency Response

Pulse width and frequency response vary with hammerhead materials.

This drawing is for reference.



## Tips included



**Please note: For information and reference only. Data should not be used as pass/fail criteria for calibration purposes.**